



## EN93230 MDK Entropic c.LINK Access CPE Bridge Manufacturer's Development Kit

The EN93230 Manufacturer's Development Kit (MDK) is a complete c.LINK Access Customer Premise Equipment (CPE) reference guide. It is designed to accelerate the time to market production of CPEs which will deploy as part of the c.LINK Access Systems.

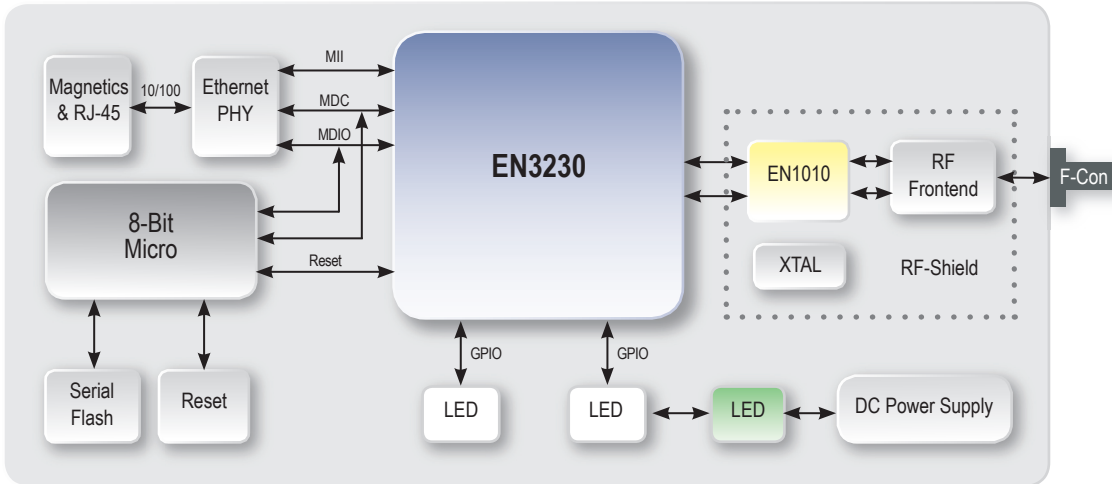
The EN93230MDK is based on the EN3230 SoC client processor which incorporates all the advanced signal processing techniques to provide high speed broadband video, data, and voice services over an existing coaxial cable plant. The powerful Ethernet to coaxial bridge design in conjunction with the versatile and flexible software provides a total solution for rapid, cost-effective, and high-performance CPE manufacturing.

The EN93230MDK provides the Original Design Manufacturer's (ODM) platform and is designed to help accelerate CPE manufacturing and product deployment for their end customers/service providers. The reference design showcases a typical and optimal use of the EN3230 capability and configuration. This kit comes with schematics, layout files, Bill of Materials (BOM), dongle software binary, guidelines for test programs to verify the units in manufacturing and a suggested chassis drawing and documentation.

### Benefits

- Rapid manufacturing
- World-class Entropic applications support
- Customer designs audited to ensure design quality and smooth introduction into high volume manufacturing
- Leverages Entropic third generation CPE design expertise
- Reference design includes on-board hooks for debugging assistance
- Testing guidelines and reference design enable testing in a mass manufacturing environment

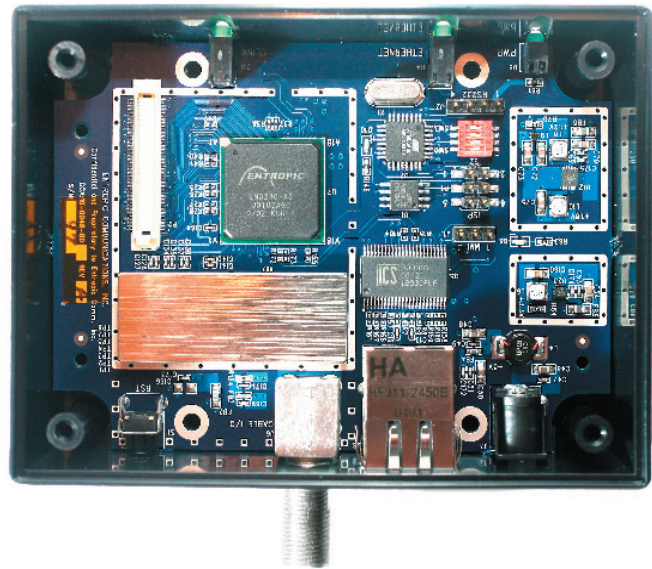




## Developing the CPE

The EN93230MDK is a highly integrated solution for a low cost CPE development. It provides a quality platform on which the ODM/OEM can build its next generation Layer 2 CPEs.

If a true customization for market differentiation is desired by the ODM/OEM it does have the option to purchase the EN93011SDK for software development.



## Product Reference Information

Number	Description
EN1010	Coaxial Network Interface RFIC - Commercial Temperature
EN1011	Coaxial Network Interface RFIC - Industrial Temperature
EN3230	Second Generation Access Client IC - Commercial Temperature
EN93011SDK	Access Software Developer Kit