



EN93230MDK

Entropic c.LINK® Access CPE Bridge Manufacturer's Development Kit

The EN93230 Manufacturer's Development Kit (MDK) is a complete c.LINK® Access Customer Premise Equipment (CPE) reference guide. It is designed to accelerate the time to market production of CPEs which will deploy as part of the c.LINK® Access Systems.

The EN93230MDK is based on the EN3230 SoC client processor which incorporates all the advanced signal processing techniques to provide high speed broadband video, data, and voice services over an existing coaxial cable plant. The powerful Ethernet to coaxial bridge design in conjunction with the versatile and flexible software provides a total solution for rapid, cost-effective, and high-performance CPE manufacturing.

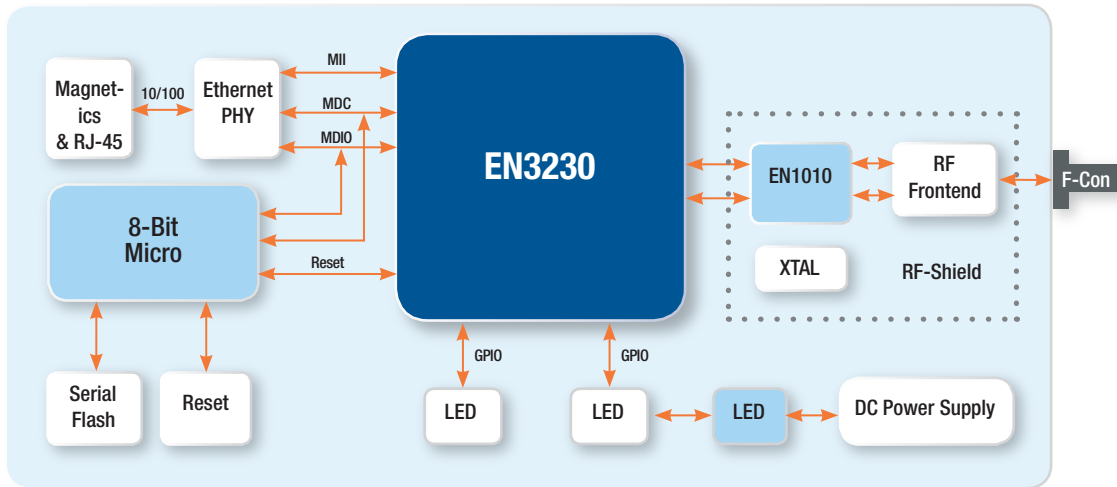
The EN93230MDK provides the Original Design Manufacturer's (ODM) platform and is designed to help accelerate CPE manufacturing and product deployment for their end customers/service providers. The reference design showcases a typical and optimal use of the EN3230 capability and configuration. This kit comes with schematics, layout files, Bill of Materials (BOM), dongle software bundle (source and binary), guidelines for test programs to verify the units in manufacturing and a suggested chassis drawing and documentation.



BENEFITS

- Rapid manufacturing based on mature reference design
- Production test plan and tools included to enable mass manufacturing environment
- Leverages Entropic third generation CPE design expertise
- Enables quick to market solution with no professional installation required

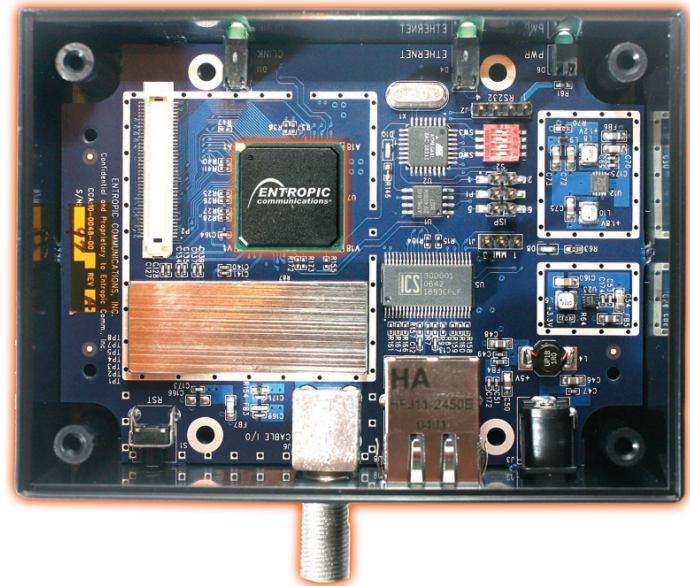
TYPICAL APPLICATION



DEVELOPING THE CPE

The EN93230MDK is a highly integrated solution for a low cost CPE development. It provides a quality platform on which the ODM/OEM can build its next generation Layer 2 CPEs.

If a true customization for market differentiation is desired by the ODM/OEM it does have the option to purchase the EN93011SDK for software development.



PRODUCT REFERENCE INFORMATION

NUMBER	DESCRIPTION
EN1010	Coaxial Network Interface RFIC - Commercial Temperature
EN1011	Coaxial Network Interface RFIC - Industrial Temperature
EN3230	Second Generation Access Client IC - Commercial Temperature
EN93011SDK	Access Software Developer Kit



6290 Sequence Drive
San Diego, CA 92121

Phone: 858.768.3600
Fax: 858.768.3601

© Entropic Communications, Inc. All rights reserved. Entropic Communications® and the stylized Entropic "curve" logo, c.LINK® and Enabling Connected Home Entertainment™ are either trademarks or registered trademarks of Entropic Communications, Inc. in the United States and/or other countries. All other trademarks are property of their respective holders. Contents subject to change without notice.