

RF5210

Satellite Channel Stacking Switch IC

PRODUCT DESCRIPTION

The RF5210 can be used in two Digital Broadcast Solutions (DBS) applications.

One configuration is integration in an RF channel stacking multi-switch (CSS) that is deployed anywhere (outdoor or indoor) between the satellite antenna on the roof and the indoor set top boxes.

The second configuration is integration in the Low-Noise Block (LNB) converter that is part of an Outdoor Electronics Unit (ODU) (typically integrated with an antenna on the roof).

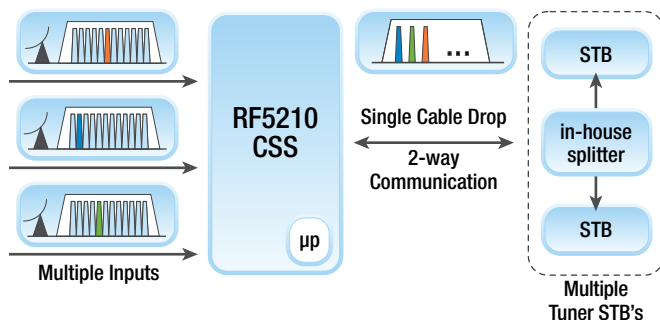
The RF5210's CSS technology is applicable to homes with multiple Set Top Box tuners (PVR Set Tops, or multiple Set Tops in a home) and to Multiple Dwelling Unit (MDU) applications. New total system solutions can be achieved by using the RF5210 with MDU redistribution technologies to support small to medium apartment buildings.

APPLICATIONS

- DBS Multi-Switches
- DBS Low-Noise Block Converters

TARGET BANDS

- Input range 950 MHz – 2150 MHz
- Output range 950 MHz – 2150 MHz



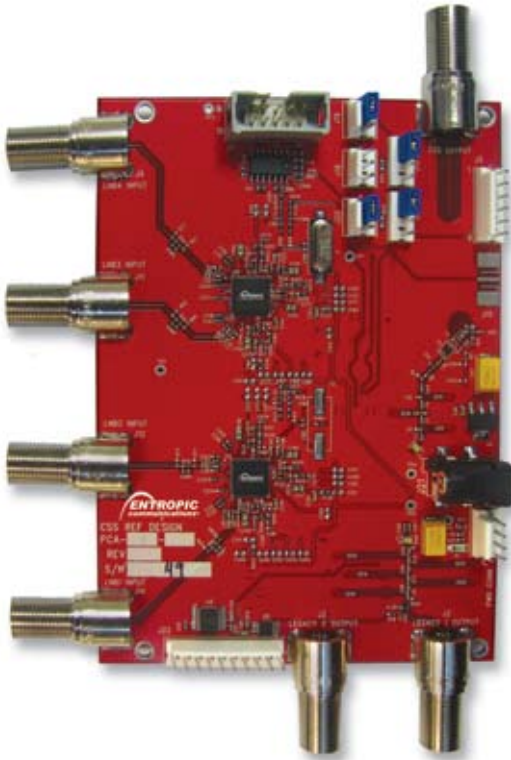
Ground-breaking new technology enables the delivery of up to 12 unique, individually selected channels down to a single cable drop.



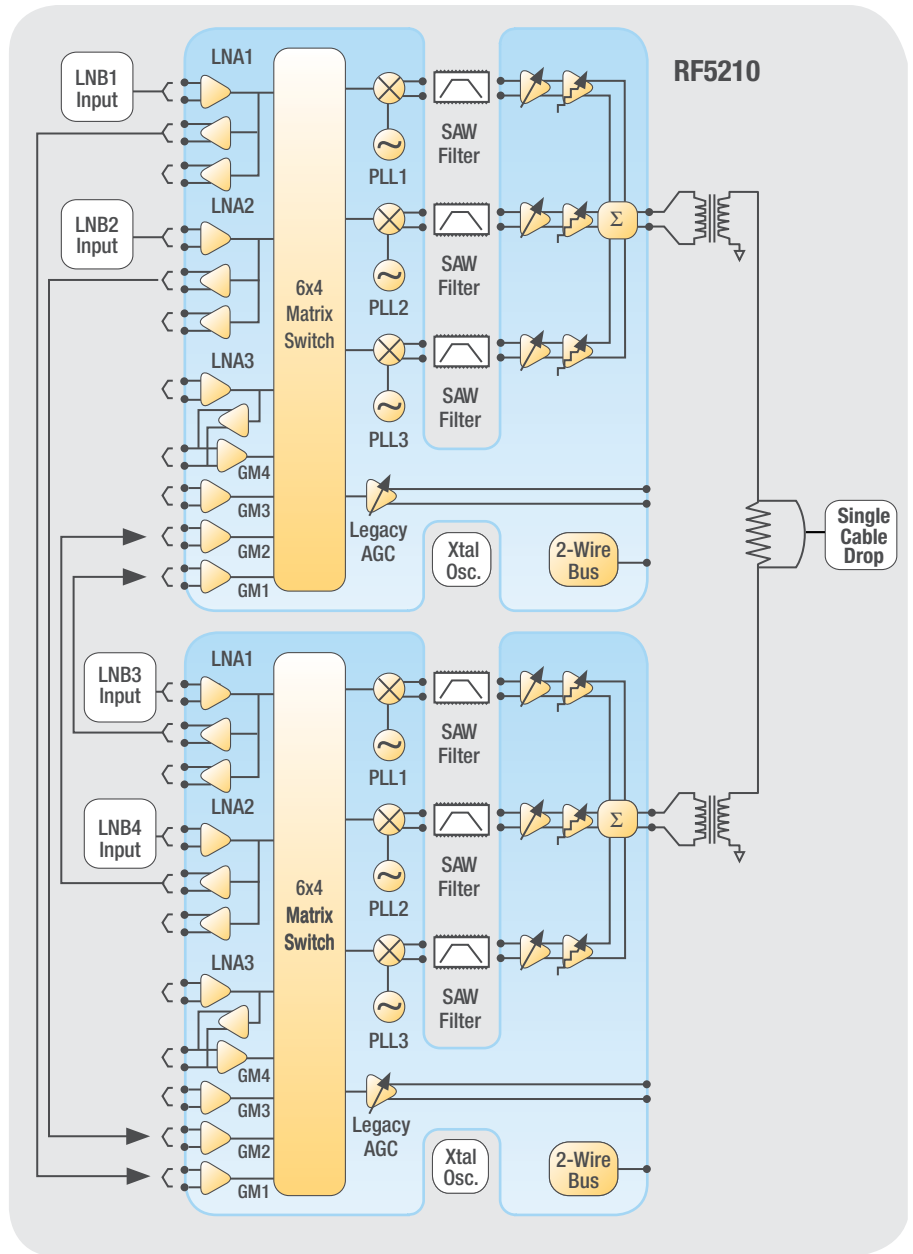
FEATURES

- 3 inputs and 3 channel outputs per IC
- Input range 950 MHz – 2150 MHz
- Output range 950 MHz – 2150 MHz
 - Single dedicated legacy port
 - 5 Cascade outputs to support additional legacy ports
- EZStack architecture supports up to 12 inputs and 12 output channels
- Low Phase Noise for 8PSK or 16APSK modulation
- Low external component count
- High isolation ensures superior cross channel rejection
- Fully integrated LO, PLL and loop components
- Simple 2-wire control interface
- 8x8 mm² QFN 68-Pin package
- RoHS compliance

EVALUATION BOARD



FUNCTIONAL BLOCK DIAGRAM



6290 Sequence Drive
San Diego, CA 92121

Phone: 858.768.3600
Fax: 858.768.3601

ORDERING INFORMATION

Product	Part Number	EVK Description
RF5210	PCR-5210-0002	RF5210 CSS Evaluation Kit

© Entropic Communications, Inc. All rights reserved. Entropic Communications® and the stylized Entropic “curve” logo, c.LINK® and Enabling Connected Home Entertainment™ are either trademarks or registered trademarks of Entropic Communications, Inc. in the United States and/or other countries. All other trademarks are property of their respective holders. Contents subject to change without notice.